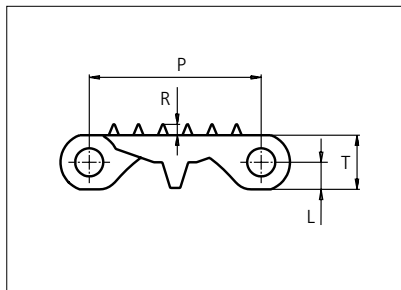
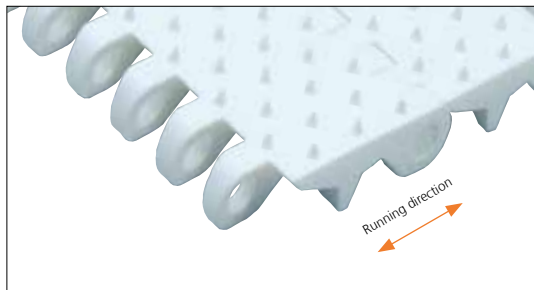




# Plastic Modular Belt

Series **uni MPB** Type **G**



Straight running belt  
 Nominal pitch: 50.8 mm (2.00 in)  
 Surface type: Grip  
 Surface opening: Closed  
 Backflex radius: 65.0 mm (2.6 in)  
 Pin diameter: ø8 mm (0.31 in)

Belt material & color	POM-DI <span style="border: 1px solid black; padding: 0 2px;">W</span>		mm	in		mm	in
		P (Nominal)	50.8	2.00	R	3.2	0.13
Pin material & color	PP <span style="border: 1px solid black; padding: 0 2px;">W</span>						
		L	8.0	0.31	T	16.0	0.63

Non standard material and color: See uni Material and Color Overview.

Alternative pin and lock materials: Pin: PA6.6 N PP W PE W PBT LG SS304 Lockpin: PA6.6 B PBT LG Trilock: PA6.6 N

uni MPB G is available with an indent of 35.0 mm (1.38 in) in both sides (as uni MPB GE).

Belt width		Permissible tensile force (Belt/pin material)		Belt weight (Belt/pin material)		*Min. No. drive sprocket per shaft	Number of wear strips (Min. No.)	
		POM-DI/PP		POM-DI/PP			**Carry (pcs)	**Return (pcs)
mm	in	N	lbf	kg/m	lb/ft			
151	5.9	4153	933	1.8	1.21	2	2	2
202	8.0	5555	1249	2.4	1.62	2	2	2
252	9.9	6930	1558	3.0	2.02	2	2	2
302	11.9	8305	1867	3.6	2.42	3	3	2
353	13.9	9708	2182	4.2	2.82	3	3	2
403	15.9	11083	2491	4.8	3.22	3	3	2
453	17.8	12458	2800	5.4	3.62	4	4	2
504	19.8	13860	3116	6.0	4.03	4	4	2
554	21.8	15235	3425	6.6	4.43	4	4	2
604	23.8	16610	3734	7.2	4.83	5	5	3
655	25.8	18013	4049	7.8	5.24	5	5	3
705	27.8	19388	4358	8.4	5.64	5	5	3
755	29.7	20763	4667	9.0	6.04	6	6	3

Additional standard belt widths are available in steps of 50.3 mm (1.98 in.) Additional non-standard belt widths are available in steps of 16.8 mm (0.66 in).

1963	77.3	53983	12135	23.4	15.70	14	14	7
------	------	-------	-------	------	-------	----	----	---

Additional standard belt widths are available in steps of 50.3 mm (1.98 in.) Additional non-standard belt widths are available in steps of 16.8 mm (0.66 in).

2970	116.9	81675	18361	35.3	23.75	20	20	10
------	-------	-------	-------	------	-------	----	----	----

General belt tolerance is +0/-0.4% at 23°C/73°F and 50% RH. For exact belt width contact Customer Service. Non standard belt width on request.

\*Max. Load per Drive Sprocket. Belt material: POM-DI with snub roller 2000 N (450 lbf) without snub roller 1250 N (281 lbf).

\*\*Max. Spacing between wear strips, Carry: 152 mm (6 in); Return: 304 mm (12 in).

  = Single Link



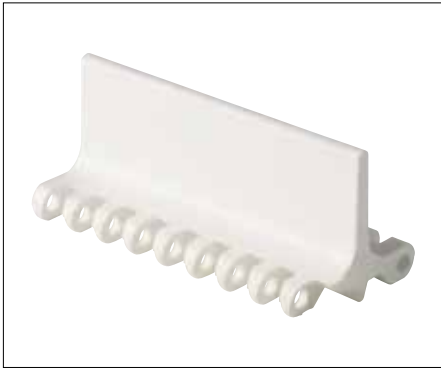
STANDARD

STRAIGHT RUNNING

PITCH 50.8 MM/2.00 IN

## Accessories

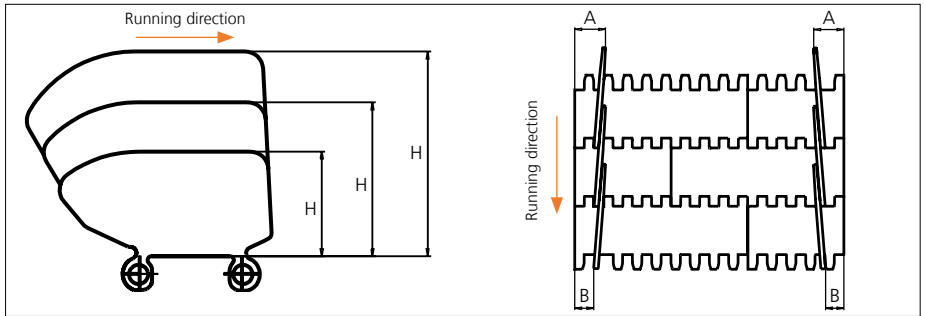
### Flight



See separate uni MPB series Flight datasheet.

## Accessories

### Side Guard

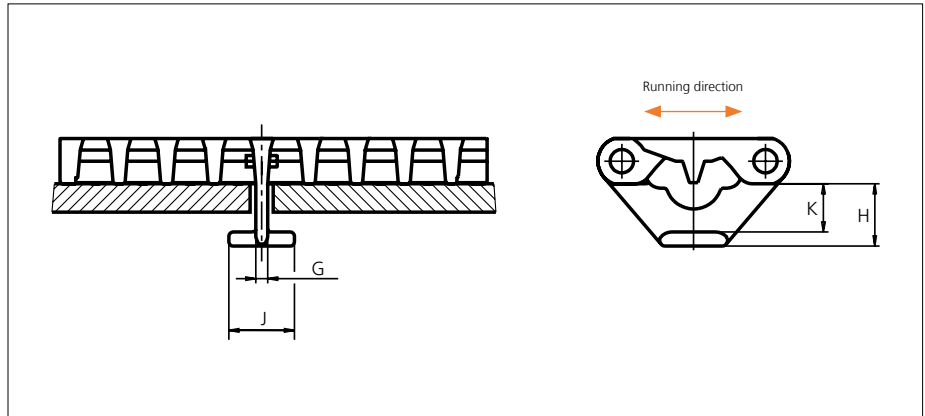


Type	Side Guard Material & color	H		A		B	
		mm	in	mm	in	mm	in
Closed	PE-I <span style="border: 1px solid black; padding: 2px;">B</span> <span style="border: 1px solid black; padding: 2px;">N</span>	50.8	2.00	32.0	1.26	16.0	0.63
	PP-I <span style="border: 1px solid black; padding: 2px;">W</span> <span style="border: 1px solid black; padding: 2px;">B</span>	76.2	3.00				
		101.6	4.00				

\*34.0 mm (1.34 in) combined with flight. Increment: 8.4 mm (0.33 in).  
Backflex radius when Side Guard are used: 200.0 mm (7.90 in).

## Accessories

### Tab



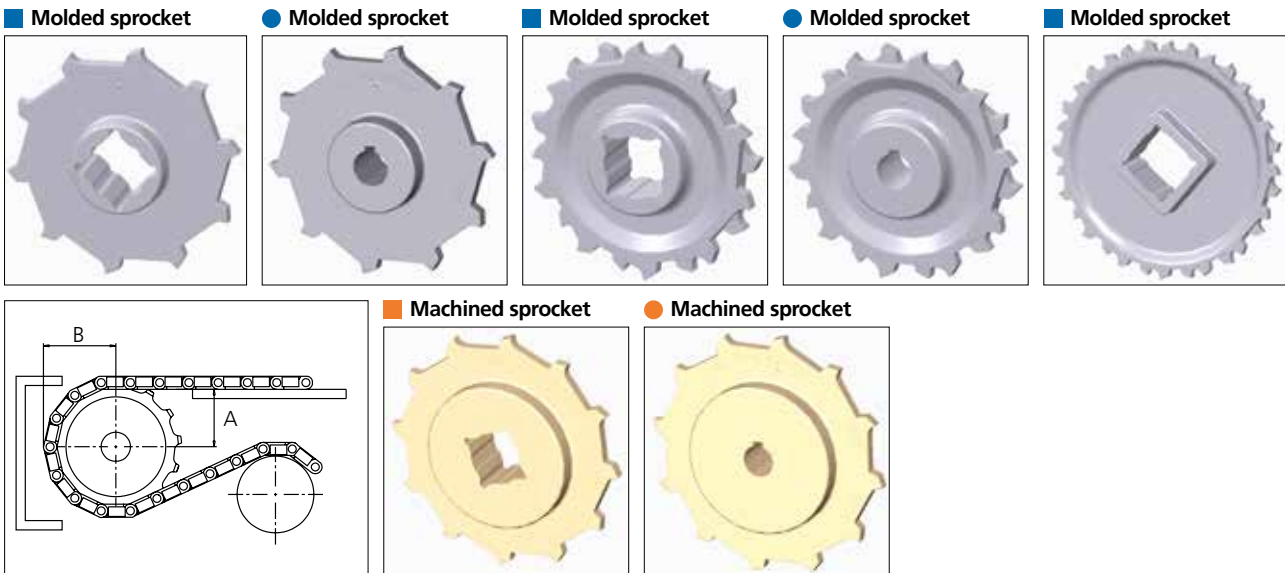
Type	Tab Material & color	G		J		K		H	
		mm	in	mm	in	mm	in	mm	in
Bottom Hold Down	POM-DI <span style="border: 1px solid black; padding: 2px;">W</span>	4.2	0.17	23.2	0.91	17.0	0.67	22.0	0.87

Note: When using taps, please verify sufficient clearance to the shaft. Max. shaft diameter = Sprocket pitch diameter - 63.5 mm (2.50 in). When using square shafts, please verify that the diagonal does not exceed max. diameter. Example: Sprocket z = 6: Max. shaft diameter 101.6 - 63.5 =  $\varnothing$ 38.1 mm (4.00 - 2.50 =  $\varnothing$ 1.4 in).  
Note: When using a belt system with tabs, the temperature should be constant. Please note that the tabs are not always placed in the middle of the belt.  
Non Standard material and color: See uni Material and Color Overview.

## Sprocket

No of teeth	Bore size													Overall diameter		Pitch diameter		Hub diameter		A-dimension		B-dimension		Single row/One way	Double row/Two way	Molded	Machined					
	Pilot bore	in			mm			mm			mm																					
		mm	19.1	20.0	25.0	25.4	30.0	31.8	38.1	40.0	60.0	63.5	90.0	mm	in	mm	in	mm	in	mm	in	mm	in	mm	in	mm	in	mm	in	mm	in	mm
Z06	x				●	●	●	■	■				99.5	3.92	101.6	4.00	65.0	2.56	36.0	1.42	59.3	2.33	x		x							
Z08	x				●	●	●	■	■				132.9	5.23	132.8	5.23	65.0	2.56	53.3	2.10	74.9	2.95	x		x							
Z10	x					●	●	■	■				166.3	6.55	164.4	6.47	65.0	2.56	70.2	2.76	90.7	3.57	x	x	x							
Z10										■	■		166.3	6.55	164.4	6.47	120.0	4.72	70.2	2.76	90.7	3.57	x	x	x							
Z12	x					●	●	■	■	■	■		198.6	7.82	196.3	7.73	120.0	4.72	86.8	3.42	106.6	4.20	x	x	x							
Z16	x					●	●	■	■	■	■		263.8	10.39	260.4	10.25	160.0	5.90	119.7	4.71	138.7	5.46		x	x							
Z16	x				●	●	■	■	■	■	■		263.8	10.39	260.4	10.25	150.0	5.90	119.7	4.71	138.7	5.46	x									x

Non standard material and color: See uni Material and Color Overview.



Other sprocket sizes are available upon request.

Two-part sprocket are available upon request.

Round bores are always delivered with keyway.

Other bore sizes are available upon request.

uni Retainer Rings: See uni Retainer Ring data sheet

Width of sprocket = Single row: 42.3 mm (1.66 in)

Double row: 50.0 mm (1.96 in)

Width of tooth = Single row: 9.5 mm (0.37 in)

Double row: 17.0 mm (0.66 in)

Max load per sprocket shown does not take bore size into account.

Please also ensure that sufficient size shaft is chosen for corresponding load.

For correct sprocket position: See uni Assembly Instructions for uni MPB.

For more detailed sprocket information, contact Customer Service.



Conveyor



Seamless



Modular



Timing



Transmission



Fabrication & service

*Solid advice*  
*For all your belting needs*  
*Local stock & service*  
[www.ammeraalbeltech.com](http://www.ammeraalbeltech.com)

**Ammeraal Beltech Modular A/S**  
Hjulmagervej 21  
DK-7100 Vejle

T +45 7572 3100  
F +45 7572 3348  
admin@unichains.com  
www.unichains.com

This information is subject to alteration due to continuous development. Ammeraal Beltech will not be held liable for the incorrect use of the above stated information. This information replaces previous information. All activities performed and services rendered by Ammeraal Beltech are subject to general terms and conditions of sale and delivery, as applied by its operating companies.