

Conveyor  
**Viking**



Conveyor

**Rollers & Frames**

Catalogue

0800 845 464

[www.vikingconveyor.co.nz](http://www.vikingconveyor.co.nz)

# Contents

Page no

## Troughing Roller

Steel Roller Trough (114mm Ø)	3
Steel Roller Trough (127mm Ø)	4
Steel Roller Trough (152mm Ø)	5
RTY Roller Trough (127mm Ø)	6
Synthetic Roller Trough (114mm Ø)	7
Roller Impact Trough (127mm Ø)	8

## Return Roller

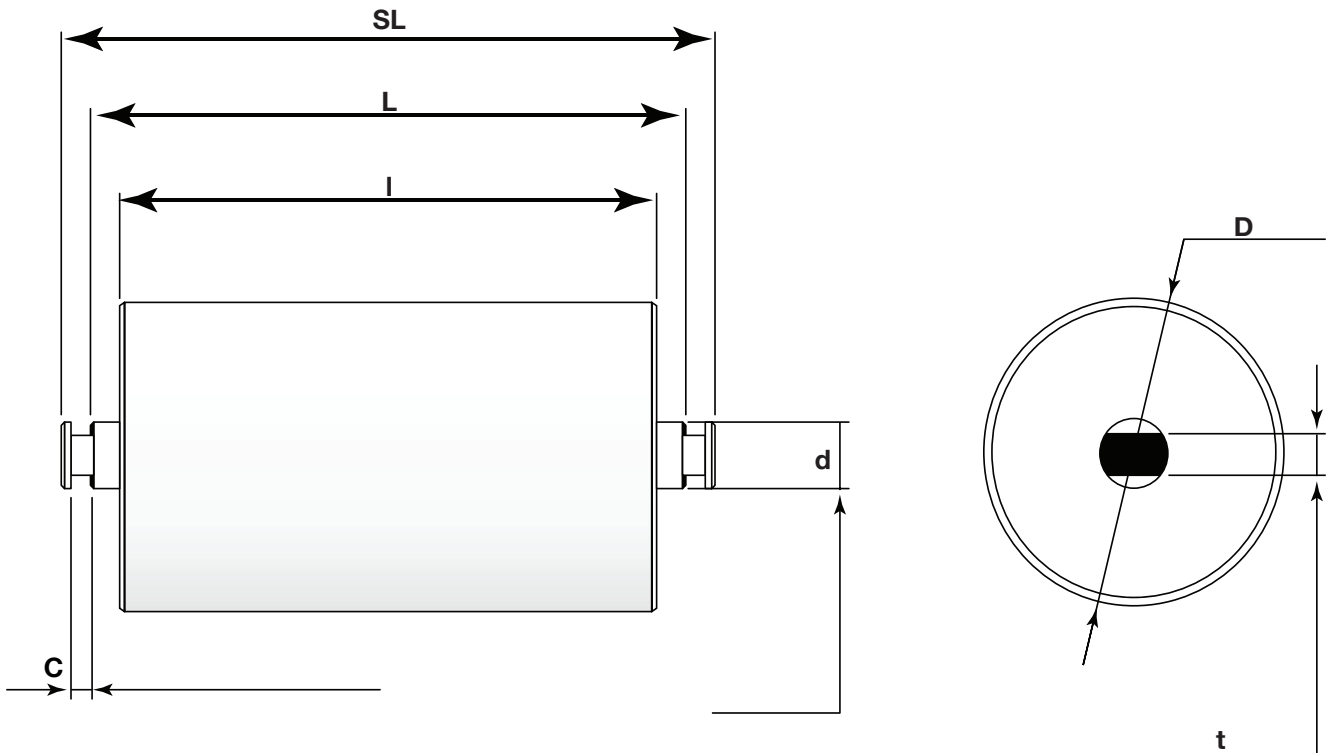
Synthetic Roller Return (114mm Ø)	9
Steel Roller Return (114mm Ø)	10
Steel Roller Return (127mm Ø)	11
Steel Roller Return (152mm Ø)	12
UDR Disc Roller Return (140mm Ø)	13
RDR Disc Roller Return (133mm Ø)	14
Return & Flat Carry Bracket Galv	15

## Idler Frames

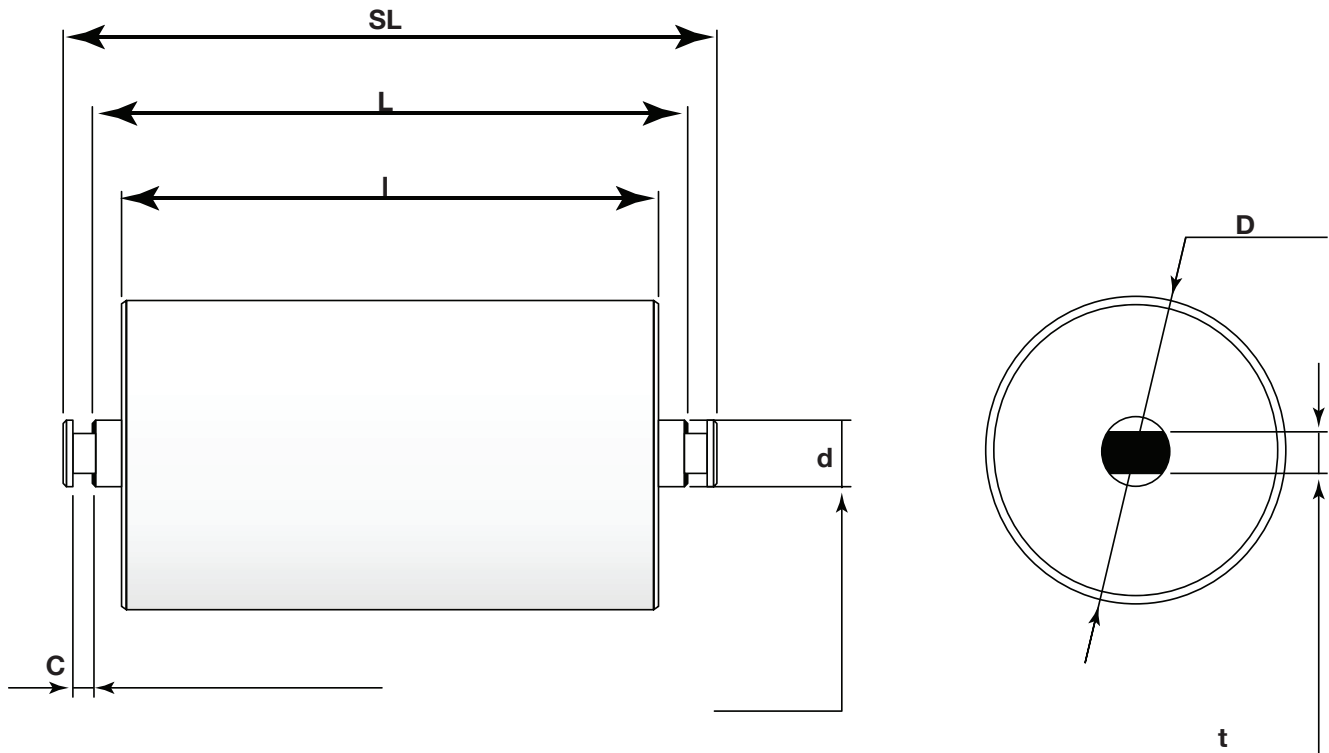
Standard Trough Idler Frame (114mm Ø)	16
Standard Trough Idler Frame (127mm Ø)	17
Adjustable Trough Idler Frame 10° - 45°	18
Return & Flat Carry Bracket Galv	19

## Tracking / Training / Steering

Trough Steering Frame (114mm Ø)	20
Trough Steering Frame (127mm Ø)	21
Steering Return Frame (114mm Ø)	22
Steering Return Frame (127mm Ø)	23
Tru-Trac Flat Return Idler	24
Tru-Trac Trough Trainer	25

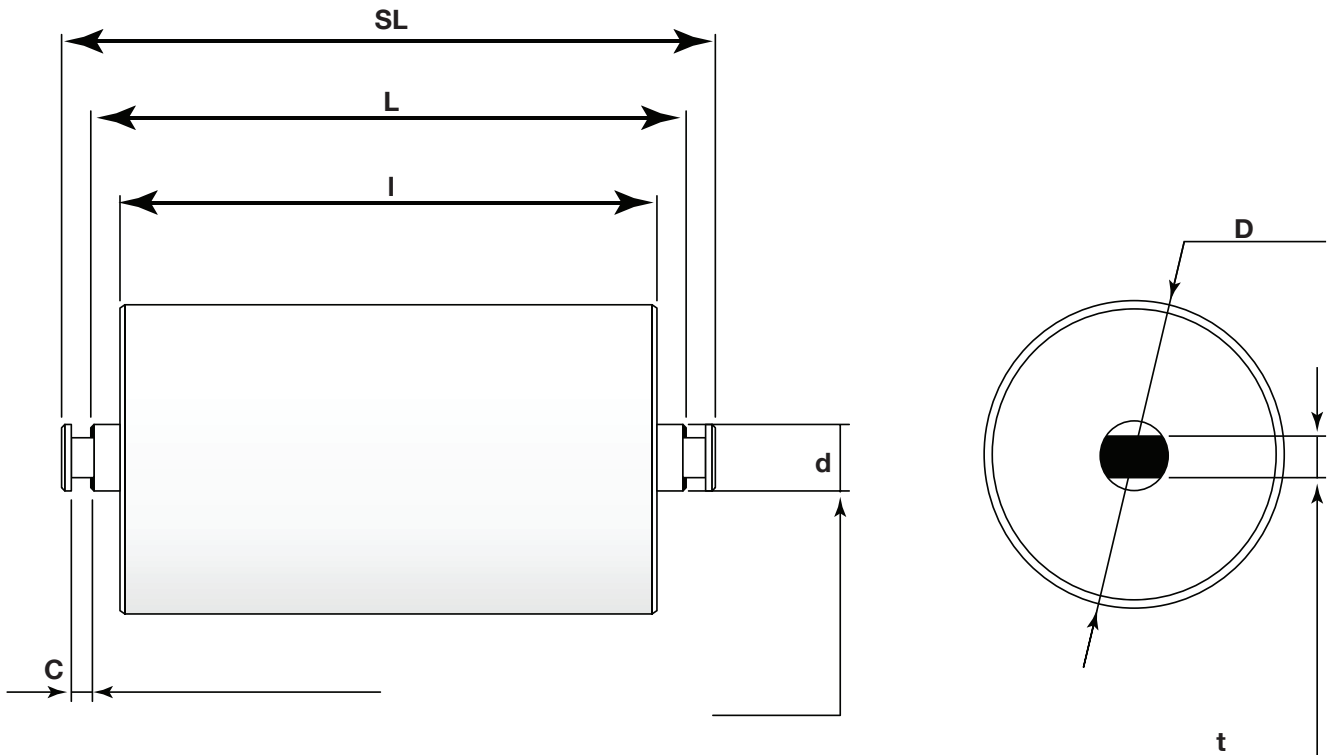


Product Code	Belt Width	SL	L	l	C	t	d	D	Weight Per Roller
BJA845	450mm	216	194	172	8	14.3	20Ø	114Ø	3.62
<i>Indent</i>	500mm	233	211	189	8	14.3	20Ø	114Ø	3.85
BJA860	600mm	268	246	224	8	14.3	20Ø	114Ø	4.31
<i>Indent</i>	650mm	288	266	244	8	14.3	20Ø	114Ø	4.58
BJA875	750mm	322	300	278	8	14.3	20Ø	114Ø	5.04
<i>Indent</i>	800mm	338	316	294	8	14.3	20Ø	114Ø	5.25
BJA890	900mm	375	353	331	8	14.3	20Ø	114Ø	5.75
<i>Indent</i>	1000mm	402	380	358	8	14.3	20Ø	114Ø	6.11
BJA905	1050mm	428	405	383	8	14.3	20Ø	114Ø	6.44
BJA920	1200mm	480	458	436	8	14.3	20Ø	114Ø	7.15

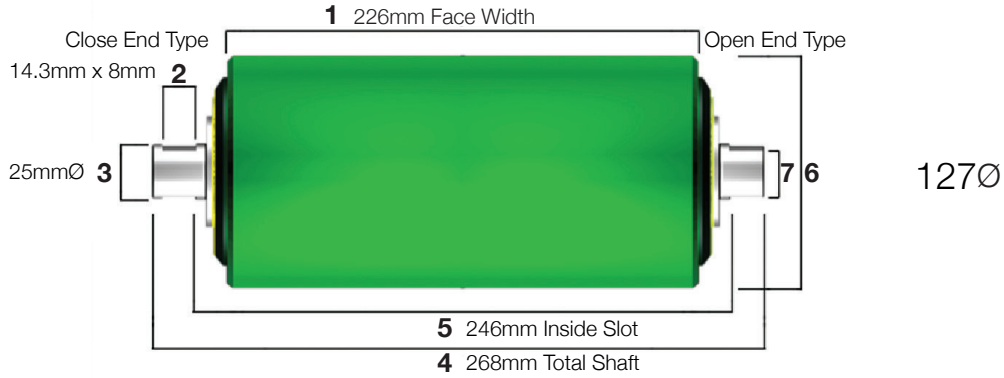


Product Code	Belt Width	SL	L	l	C	t	d	D	Weight Per Roller
BJA345	450mm	216	194	172	8	14.3	25Ø	127Ø	3.81
<i>Indent</i>	500mm	233	211	189	8	14.3	25Ø	127Ø	4.06
BJA360	600mm	268	246	224	8	14.3	25Ø	127Ø	4.57
<i>Indent</i>	650mm	288	266	244	8	14.3	25Ø	127Ø	4.86
BJA375	750mm	322	300	278	8	14.3	25Ø	127Ø	5.35
<i>Indent</i>	800mm	338	316	294	8	14.3	25Ø	127Ø	5.58
BJA390	900mm	375	353	330	8	14.3	25Ø	127Ø	6.12
BJA400	1000mm	402	380	360	8	14.3	25Ø	127Ø	6.51
BJA405	1050mm	427	403	383	8	14.3	25Ø	127Ø	6.83
BJA420	1200mm	480	458	436	8	14.3	25Ø	127Ø	7.64

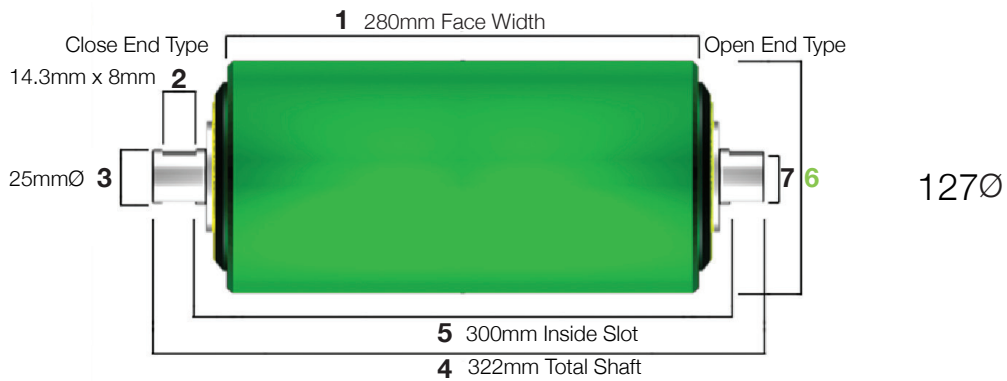




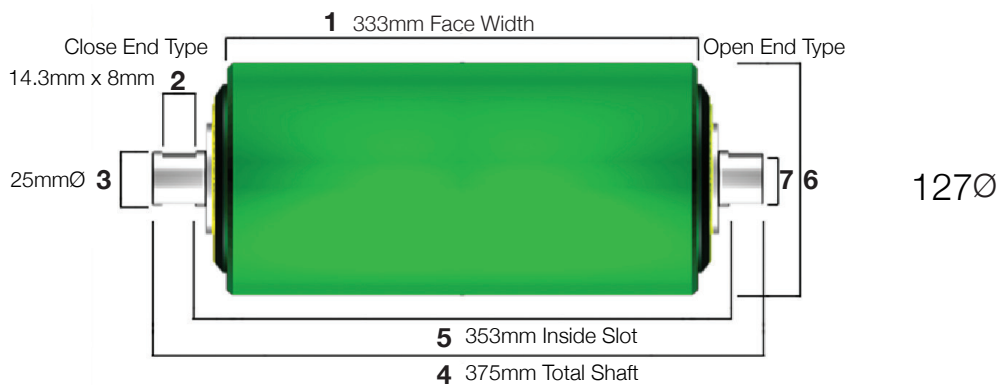
Product Code	Belt Width	SL	L	I	C	t	d	D	Weight Per Roller
<i>Indent</i>	450mm	216	194	172	8	14.3	30Ø	152Ø	11.7
<i>Indent</i>	500mm	233	211	189	8	14.3	30Ø	152Ø	12.6
<i>Indent</i>	600mm	268	246	224	8	14.3	30Ø	152Ø	13.2
<i>Indent</i>	650mm	288	266	244	8	14.3	30Ø	152Ø	14.7
<i>Indent</i>	750mm	322	300	278	8	14.3	30Ø	152Ø	16.8
<i>Indent</i>	800mm	338	316	294	8	14.3	30Ø	152Ø	17.41
<i>Indent</i>	900mm	375	353	331	8	14.3	30Ø	152Ø	19.96
<i>Indent</i>	1000mm	402	380	358	8	14.3	30Ø	152Ø	21.10
<i>Indent</i>	1050mm	427	405	383	8	14.3	30Ø	152Ø	22.15
<i>Indent</i>	1200mm	480	458	436	8	14.3	30Ø	152Ø	24.37



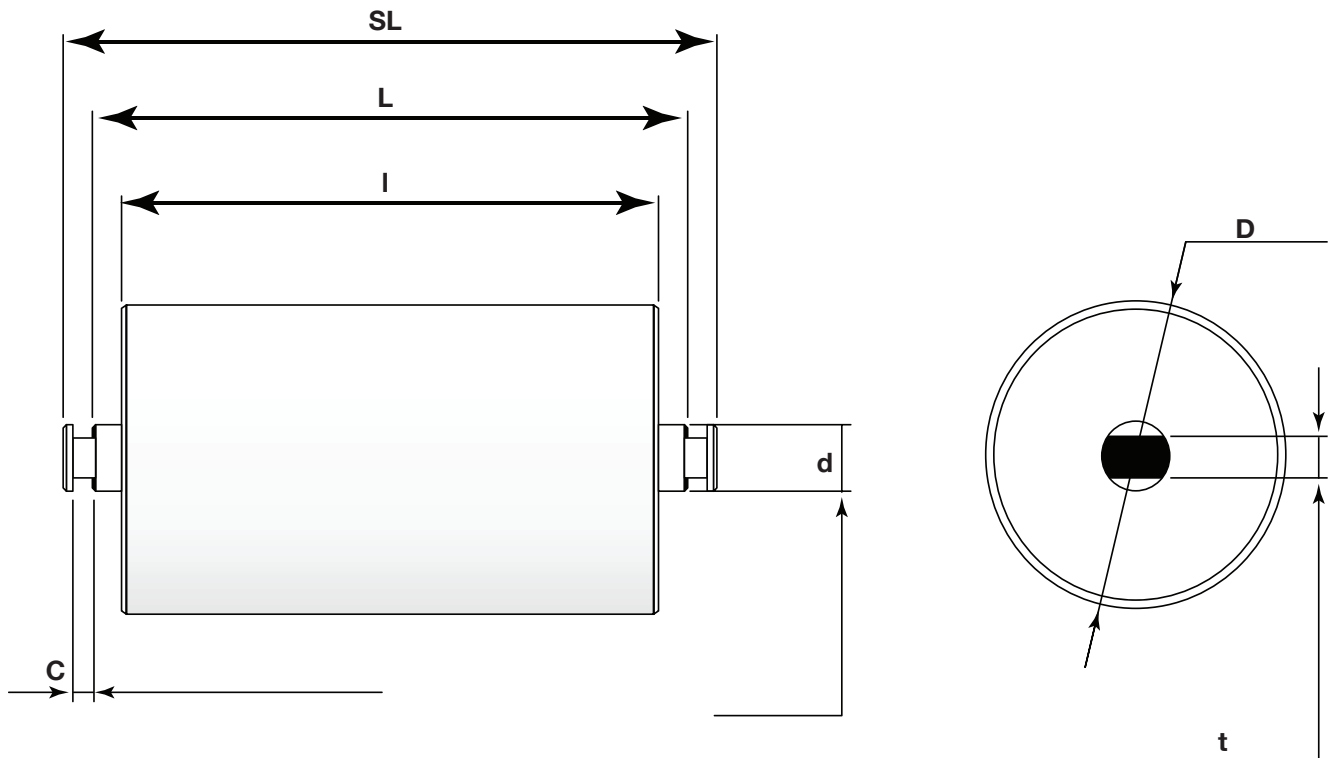
Description: Trough Green 600mm x 127/25/6205  
Product Code: RTY127060



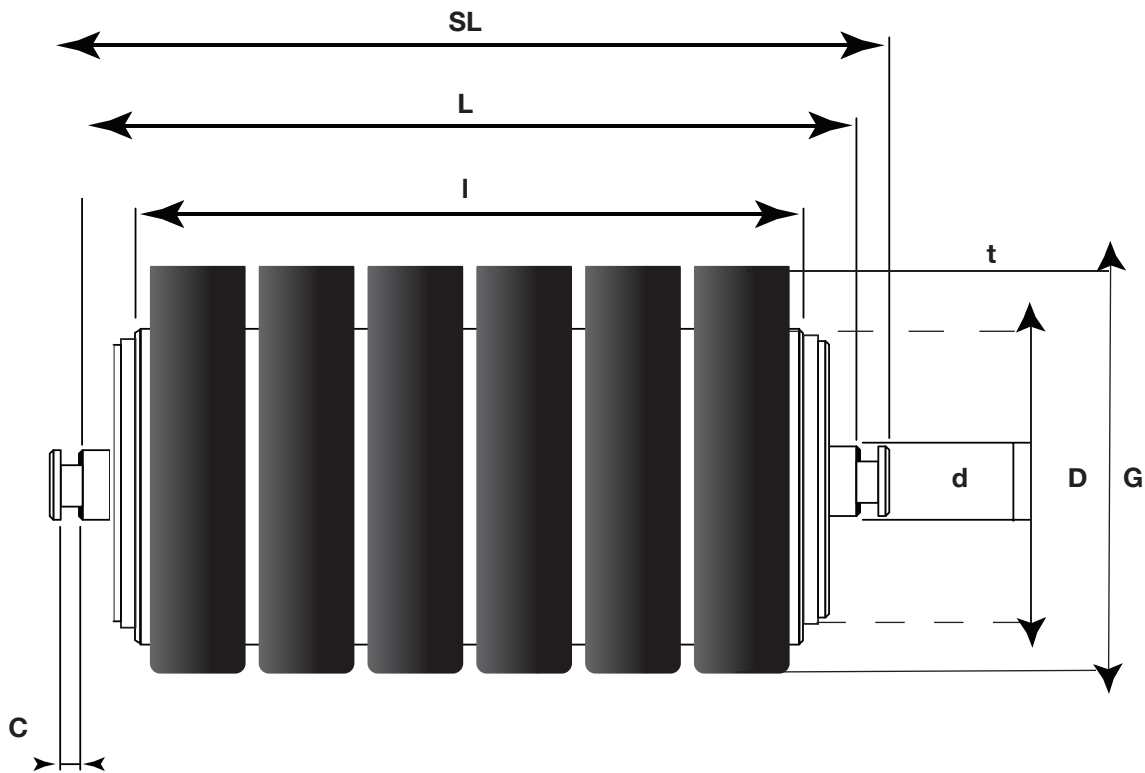
Description: Trough Green 750mm x 127/25/6205  
Product Code: RTY127075



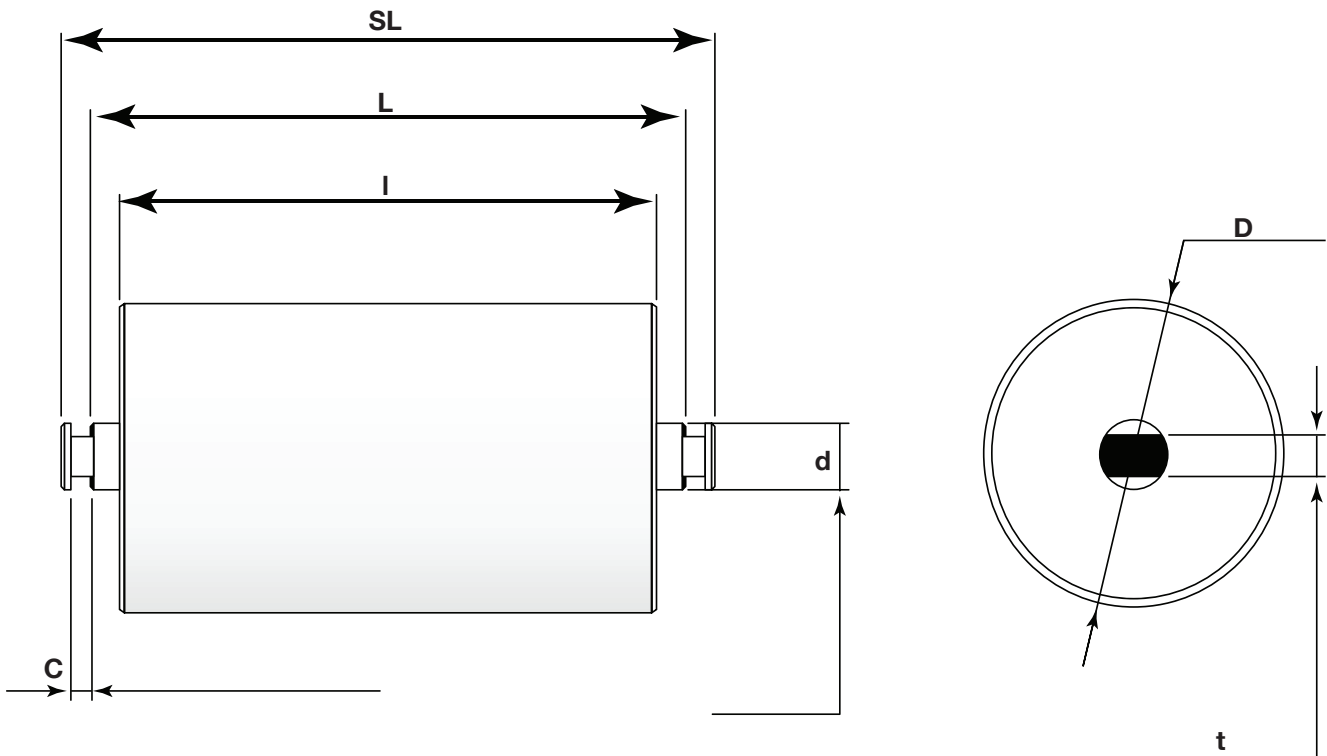
Description: Trough Green 900mm x 127/25/6205  
Product Code: RTY127090



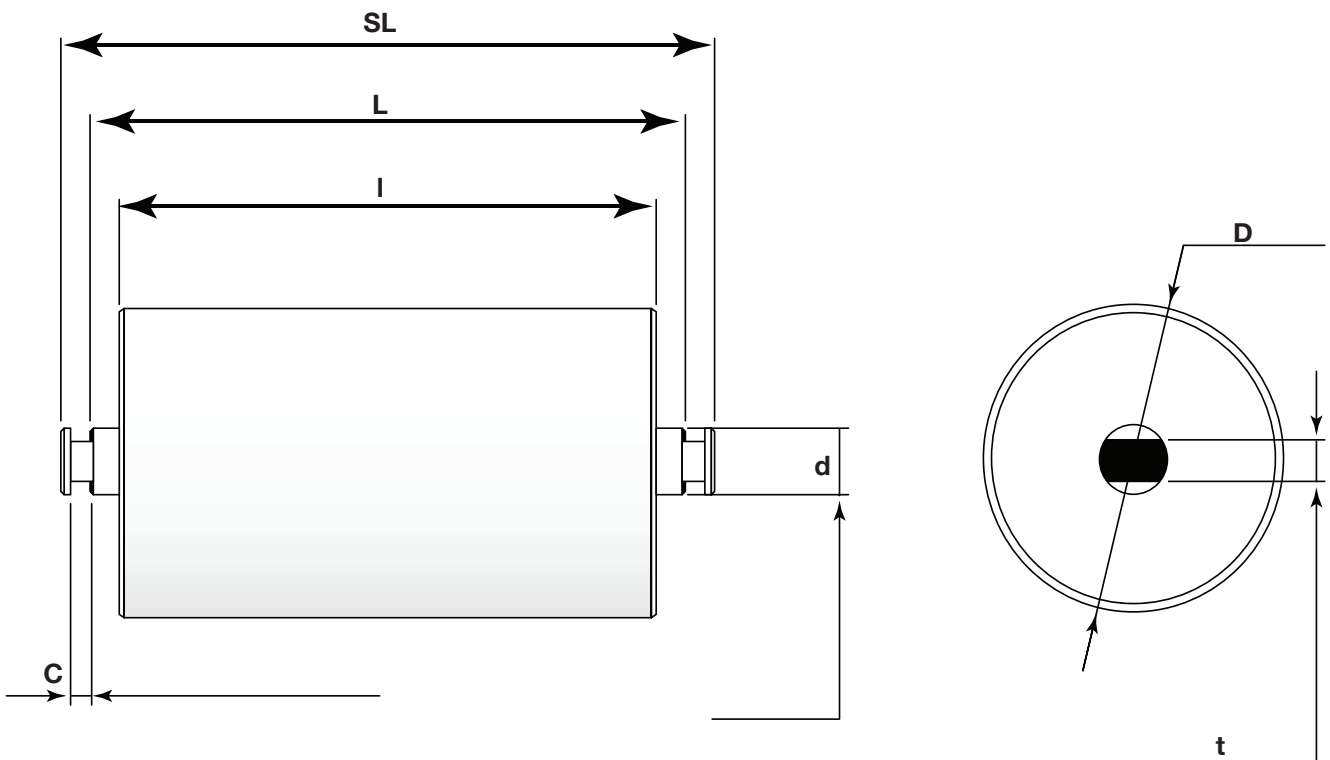
Product Code	Belt Width	SL	L	I	C	t	d	D	Weight Per Roller
BIC045	450mm	216	194	172	8	14.3	20Ø	114Ø	1.44
<i>Indent</i>	500mm	233	211	189	8	14.3	20Ø	114Ø	-
BIC060	600mm	268	246	224	8	14.3	20Ø	114Ø	1.70
<i>Indent</i>	650mm	288	266	244	8	14.3	20Ø	114Ø	-
BIC075	750mm	322	300	278	8	14.3	20Ø	114Ø	1.94
<i>Indent</i>	800mm	338	316	294	8	14.3	20Ø	114Ø	-
BIC090	900mm	375	353	331	8	14.3	20Ø	114Ø	2.23
<i>Indent</i>	1000mm	402	380	358	8	14.3	20Ø	114Ø	-
BIC105	1050mm	427	405	383	8	14.3	20Ø	114Ø	2.44
BIC120	1200mm	480	458	436	8	14.3	20Ø	114Ø	2.70



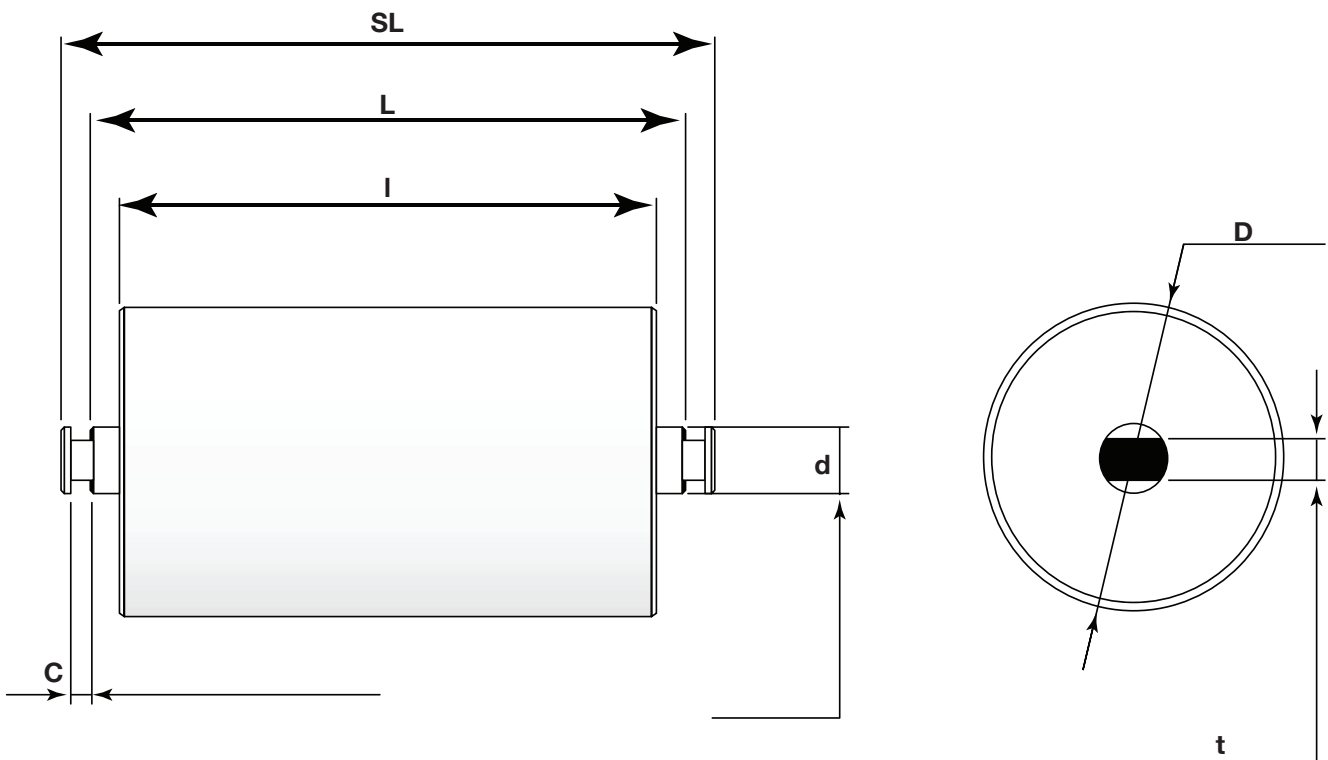
Product Code	Belt Width	SL	L	I	C	t	d	D	G	Weight Per Roller
BJA245	450mm	216	192	172	8	14.3	25Ø	89.1Ø	127Ø	12.0
<i>Indent</i>	500mm	233	211	189	8	14.3	25Ø	89.1Ø	127Ø	13.2
BJA260	600mm	268	244	224	8	14.3	25Ø	89.1Ø	127Ø	15.3
<i>Indent</i>	650mm	288	266	244	8	14.3	25Ø	89.1Ø	127Ø	17.7
BJA275	750mm	322	298	278	8	14.3	25Ø	89.1Ø	127Ø	19.23
<i>Indent</i>	800mm	338	316	294	8	14.3	25Ø	89.1Ø	127Ø	20.46
BJN405	900mm	375	351	331	8	14.3	25Ø	89.1Ø	127Ø	22.17
<i>Indent</i>	1000mm	402	380	358	8	14.3	25Ø	89.1Ø	127Ø	23.61
BJN420	1050mm	429	407	385	8	14.3	25Ø	89.1Ø	127Ø	24.21
BJA320	1200mm	480	456	436	8	14.3	25Ø	89.1Ø	127Ø	27.15



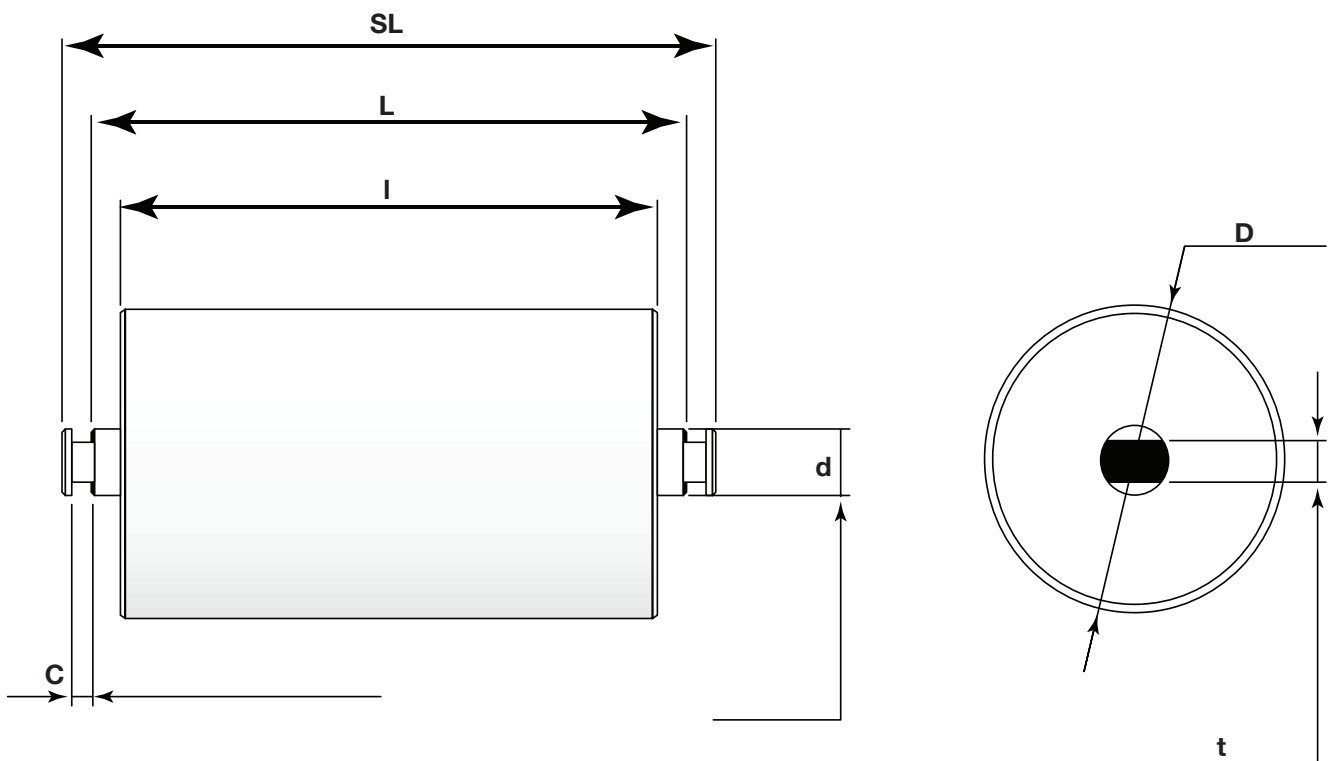
Product Code	Belt Width	SL	L	I	C	t	d	D	Weight Per Roller
BIL045	450mm	588	564	543	8	14.3	20Ø	114Ø	3.24
<i>Indent</i>	500mm	638	614	593	8	14.3	20Ø	114Ø	-
BIL060	600mm	738	714	693	8	14.3	20Ø	114Ø	4.30
<i>Indent</i>	650mm	788	764	743	8	14.3	20Ø	114Ø	-
BIL075	750mm	888	864	843	8	14.3	20Ø	114Ø	5.02
<i>Indent</i>	800mm	938	914	893	8	14.3	20Ø	114Ø	-
BIL090	900mm	1038	1014	993	8	14.3	20Ø	114Ø	5.72
BIL105	1050mm	1188	1164	1143	8	14.3	20Ø	114Ø	6.36
BIL120	1200mm	1338	1314	1293	8	14.3	20Ø	114Ø	7.24



Product Code	Belt Width	SL	L	I	C	t	d	D	Weight Per Roller
BJO545	450mm	588	564	543	8	14.3	20Ø	114Ø	6.10
<i>Indent</i>	500mm	638	614	593	8	14.3	20Ø	114Ø	6.45
BJO560	600mm	738	714	693	8	14.3	20Ø	114Ø	7.35
<i>Indent</i>	650mm	788	764	743	8	14.3	20Ø	114Ø	7.80
BJO575	750mm	888	864	843	8	14.3	20Ø	114Ø	8.70
<i>Indent</i>	800mm	938	914	893	8	14.3	20Ø	114Ø	9.15
BJO590	900mm	1038	1014	993	8	14.3	20Ø	114Ø	10.05
<i>Indent</i>	1000mm	1138	1114	1093	8	14.3	20Ø	114Ø	10.95
BJO605	1050mm	1188	1164	1143	8	14.3	20Ø	114Ø	11.40
BJO620	1200mm	1338	1314	1293	8	14.3	20Ø	114Ø	12.75

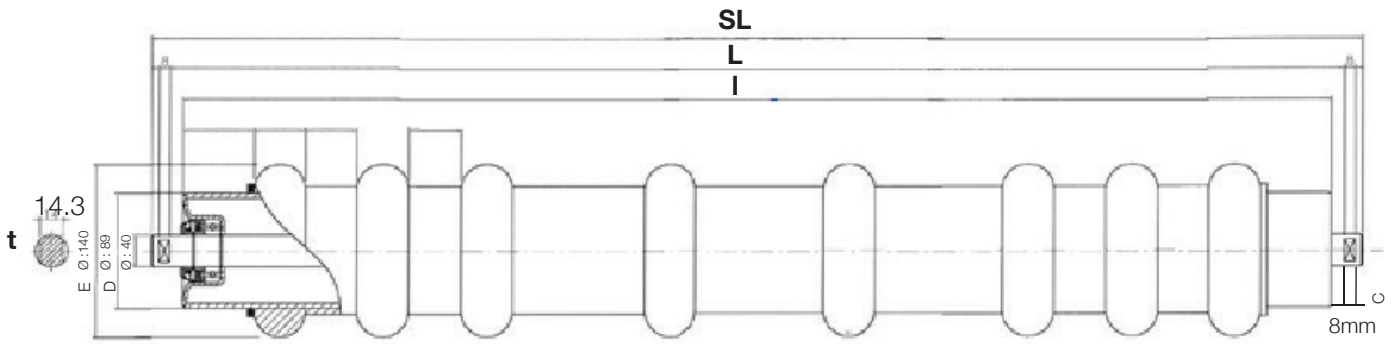
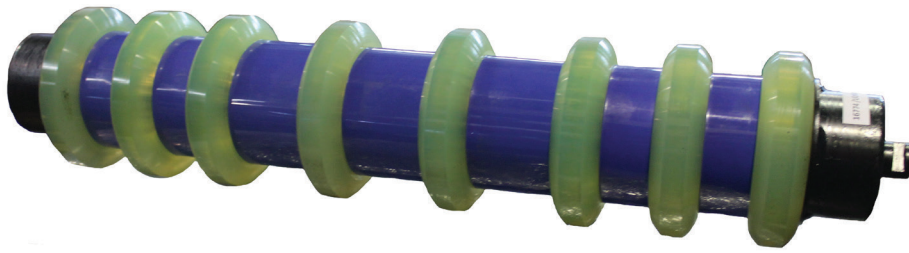


Product Code	Belt Width	SL	L	I	C	t	d	D	Weight Per Roller
BJO145	450mm	588	564	543	8	14.3	25Ø	127Ø	5.9
<i>Indent</i>	500mm	638	614	593	8	14.3	25Ø	127Ø	6.2
BJO160	600mm	738	714	693	8	14.3	25Ø	127Ø	7.1
<i>Indent</i>	650mm	788	764	743	8	14.3	25Ø	127Ø	7.6
BJO175	750mm	888	864	843	8	14.3	25Ø	127Ø	8.6
<i>Indent</i>	800mm	938	914	893	8	14.3	25Ø	127Ø	9.1
BJO190	900mm	1038	1014	993	8	14.3	25Ø	127Ø	10.0
BJO200	1000mm	1138	1114	1093	8	14.3	25Ø	127Ø	10.9
BJO205	1050mm	1188	1164	1143	8	14.3	25Ø	127Ø	11.4
BJO220	1200mm	1338	1314	1293	8	14.3	25Ø	127Ø	12.8

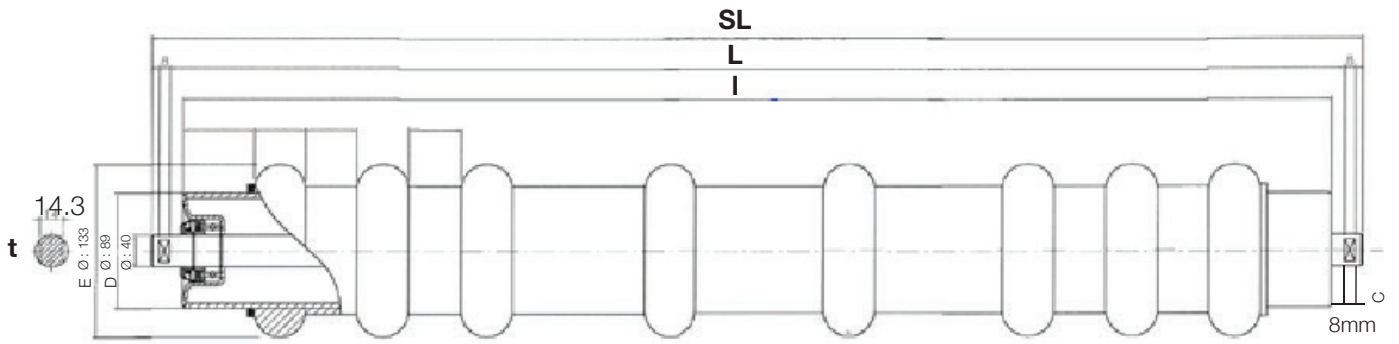


Product Code	Belt Width	SL	L	I	C	t	d	D	Weight Per Roller
<i>Indent</i>	450mm	588	574	543	8	14.3	300	1520	10.8
<i>Indent</i>	500mm	638	614	593	8	14.3	300	1520	12.3
<i>Indent</i>	600mm	738	714	693	8	14.3	300	1520	13.8
<i>Indent</i>	650mm	788	764	743	8	14.3	300	1520	14.7
<i>Indent</i>	750mm	888	864	843	8	14.3	300	1520	16.2
<i>Indent</i>	800mm	938	914	893	8	14.3	300	1520	17.1
<i>Indent</i>	900mm	1038	1014	993	8	14.3	300	1520	18.6
<i>Indent</i>	1000mm	1138	1114	1093	8	14.3	300	1520	19.8
<i>Indent</i>	1050mm	1188	1164	1143	8	14.3	300	1520	21.0
<i>Indent</i>	1200mm	1338	1314	1293	8	14.3	300	1520	23.0

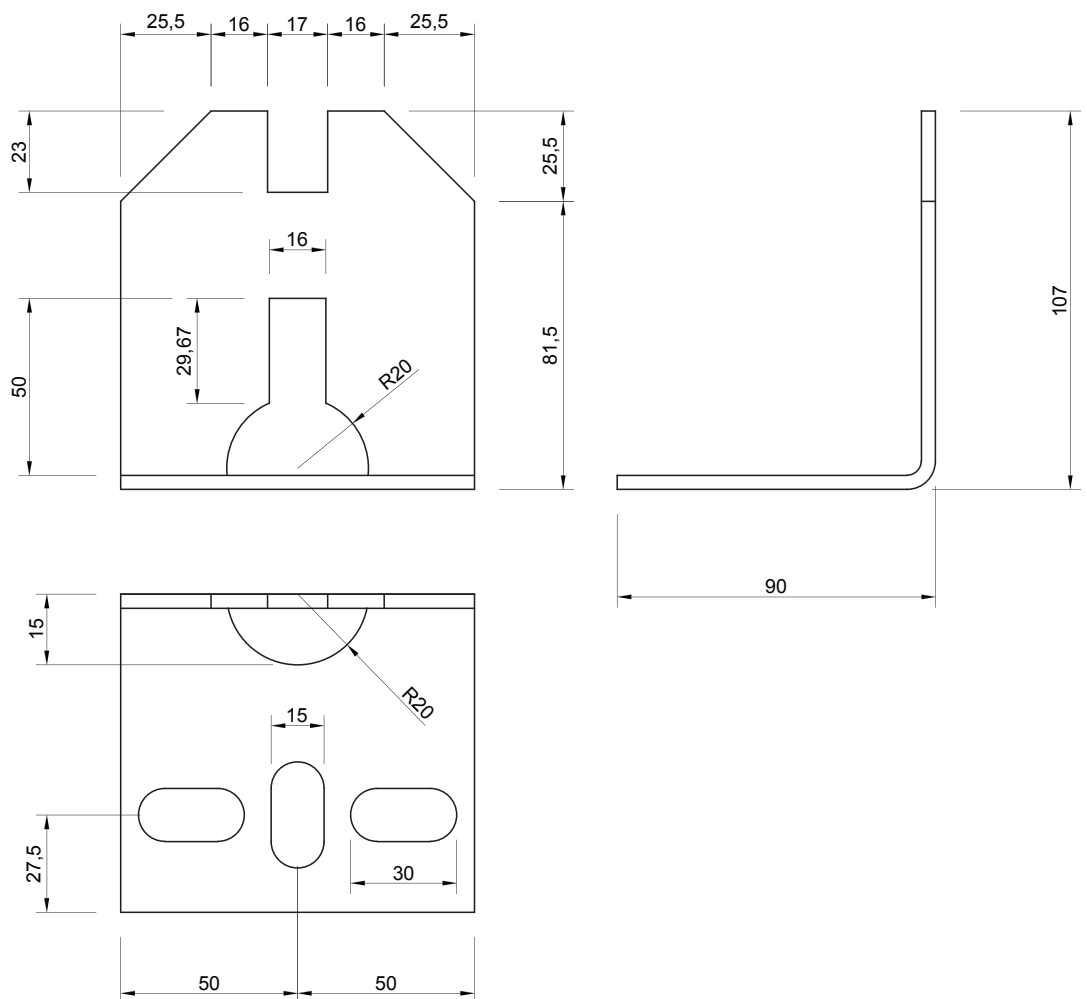




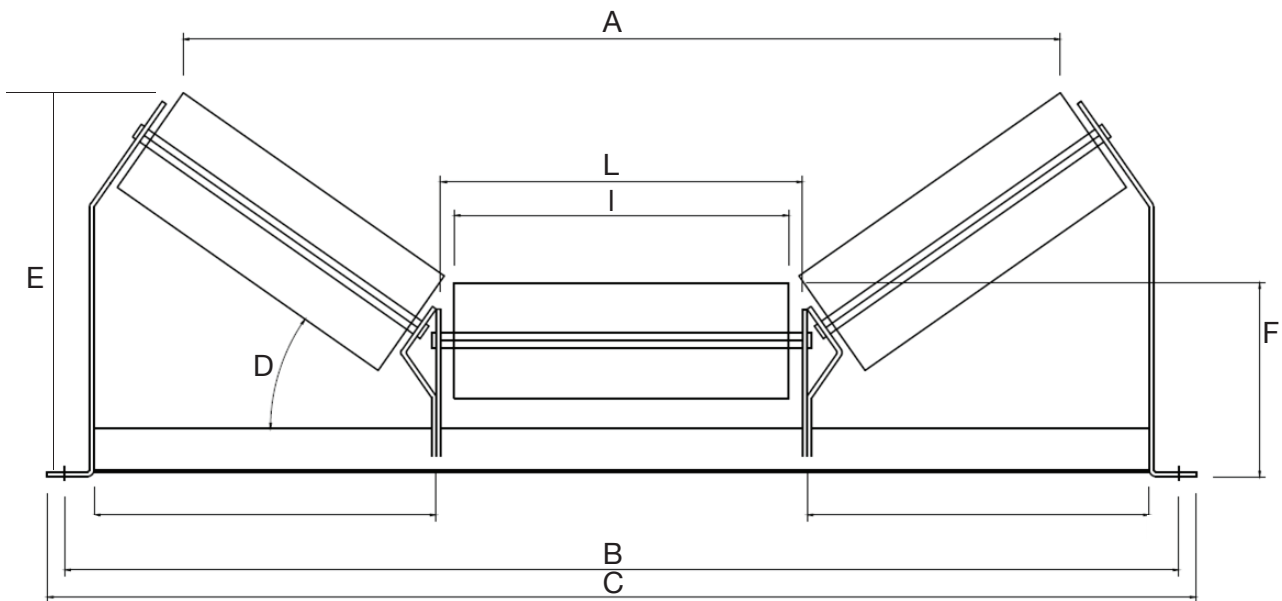
Product Code	Belt Width	SL	L	I	D	C	t	d	E
UDR045	450mm	584	562	536	89	8	14.3	25Ø	140
<i>Indent</i>	500mm	638	614	593	89	8	14.3	25Ø	140
UDR060	600mm	738	714	693	89	8	14.3	25Ø	140
<i>Indent</i>	650mm	788	764	743	89	8	14.3	25Ø	140
UDR075	750mm	888	864	843	89	8	14.3	25Ø	140
<i>Indent</i>	800mm	938	914	893	89	8	14.3	25Ø	140
UDR090	900mm	1038	1014	993	89	8	14.3	25Ø	140
<i>Indent</i>	1000mm	1138	1114	1093	89	8	14.3	25Ø	140
<i>Indent</i>	1050mm	1188	1164	1143	89	8	14.3	25Ø	140
UDR120	1200mm	1338	1314	1293	89	8	14.3	25Ø	140



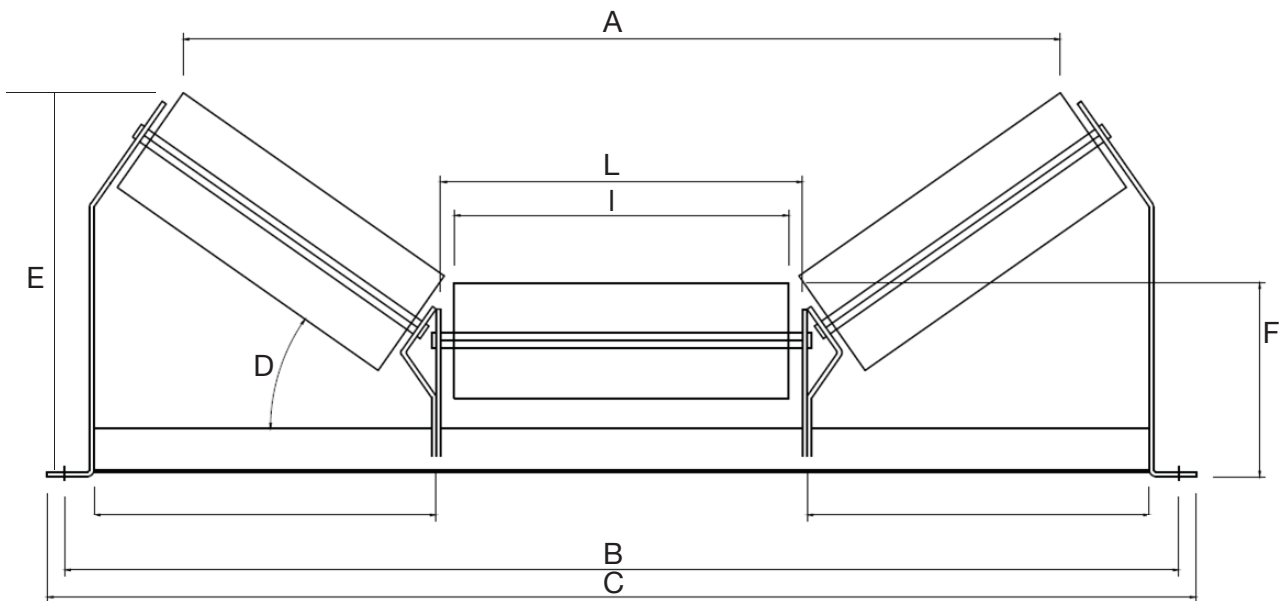
Product Code	Belt Width	SL	L	I	D	C	t	d	E
<i>Indent</i>	450mm	584	562	536	89	8	14.3	25 $\phi$	133 $\phi$
<i>Indent</i>	500mm	638	616	594	89	8	14.3	25 $\phi$	133 $\phi$
RDR060	600mm	738	716	694	89	8	14.3	25 $\phi$	133 $\phi$
<i>Indent</i>	650mm	788	766	744	89	8	14.3	25 $\phi$	133 $\phi$
RDR075	750mm	888	866	844	89	8	14.3	25 $\phi$	133 $\phi$
<i>Indent</i>	800mm	938	916	894	89	8	14.3	25 $\phi$	133 $\phi$
RDR090	900mm	1038	1016	994	89	8	14.3	25 $\phi$	133 $\phi$
<i>Indent</i>	1000mm	1138	1116	1094	89	8	14.3	25 $\phi$	133 $\phi$
<i>Indent</i>	1050mm	1188	1166	1144	89	8	14.3	25 $\phi$	133 $\phi$
<i>Indent</i>	1200mm	1338	1316	1294	89	8	14.3	25 $\phi$	133 $\phi$



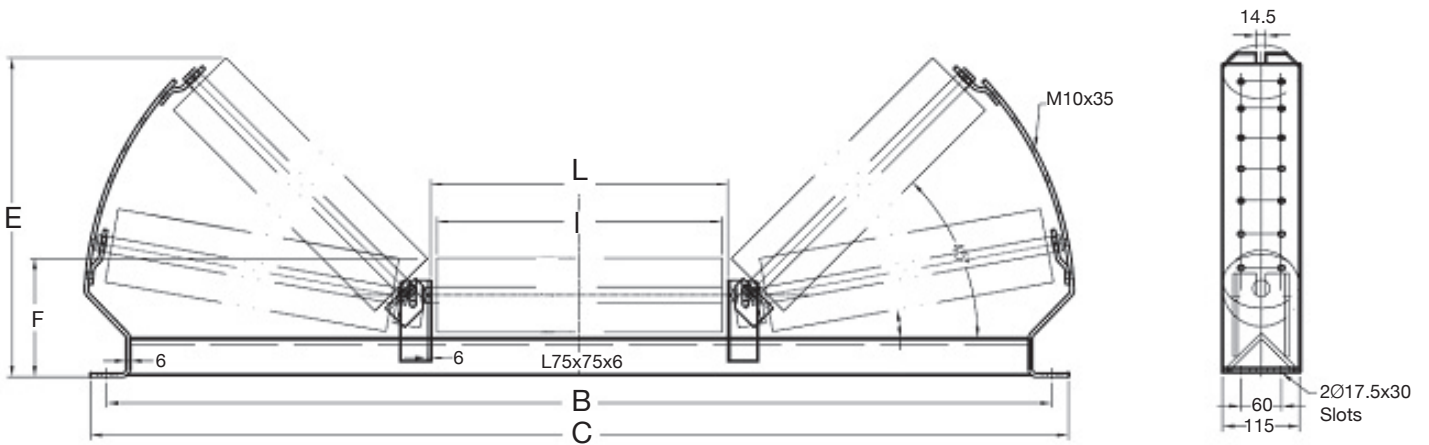
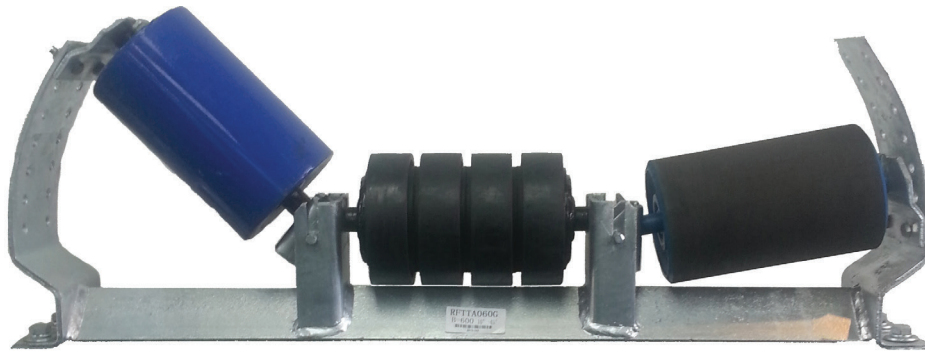
Product Code	Description
BJD155	Return & Flat Carry Brackets Galvanized



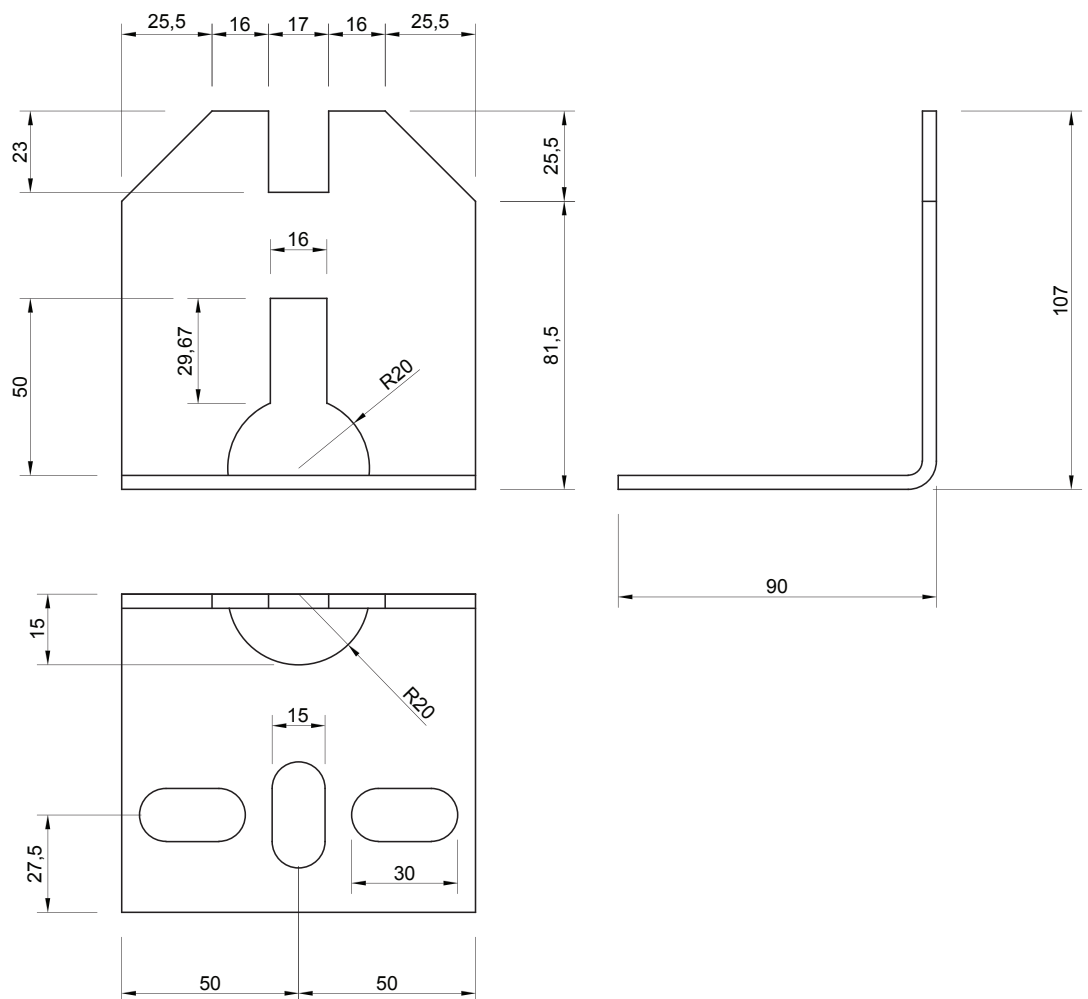
Belt Width	L	I	B	C	F	D						Weight 3x Rollers	Weight Frame Only
						30°	30°	35°	35°	45°	45°		
						A	E	A	E	A	E		
450mm	194	172	700	744	175	489	262	463	278	423	303	10.86	9.1
500mm	211	189	750	794	175	535	270	508	288	464	315	11.55	9.3
600mm	246	224	850	894	175	631	288	601	308	548	339	12.93	10.7
650mm	266	244	900	944	175	685	298	653	320	596	353	13.74	11.1
750mm	300	278	1000	1044	175	778	315	743	339	678	377	15.12	12.34
800mm	316	294	1050	1094	175	822	323	785	348	717	387	15.75	12.99
900mm	353	331	1150	1194	175	923	341	883	370	806	415	17.25	14.4
1000mm	380	358	1250	1294	175	997	355	954	385	872	434	18.33	15.09
1050mm	405	383	1300	1344	175	1065	367	1020	399	932	452	19.32	15.92
1200mm	458	436	1450	1494	175	1210	394	1160	430	1060	489	21.45	17.5



Belt Width	L	I	B	C	F	D	D	D	D	D	D	Weight 3x Rollers	Weight Frame Only
						30° A	30° E	35° A	35° E	45° A	45° E		
450mm	194	172	700	744	181	484	268	458	278	415	303	11.43	9.23
500mm	211	189	750	794	181	530	276	503	288	456	315	12.18	9.45
600mm	246	224	850	894	181	626	294	595	308	540	339	13.71	10.89
650mm	266	244	900	944	181	681	304	648	320	589	353	14.58	11.3
750mm	300	278	1000	1044	181	773	321	737	339	671	377	16.05	12.65
800mm	316	294	1050	1094	181	817	329	780	348	709	387	16.74	13.2
900mm	353	331	1150	1194	181	918	347	877	370	799	415	18.36	14.49
1000mm	380	358	1250	1294	181	992	361	948	385	864	434	19.53	15.2
1050mm	405	383	1300	1344	181	1060	373	1014	399	924	452	20.49	16.05
1200mm	458	436	1450	1494	181	1205	400	1154	430	1052	489	22.92	17.92

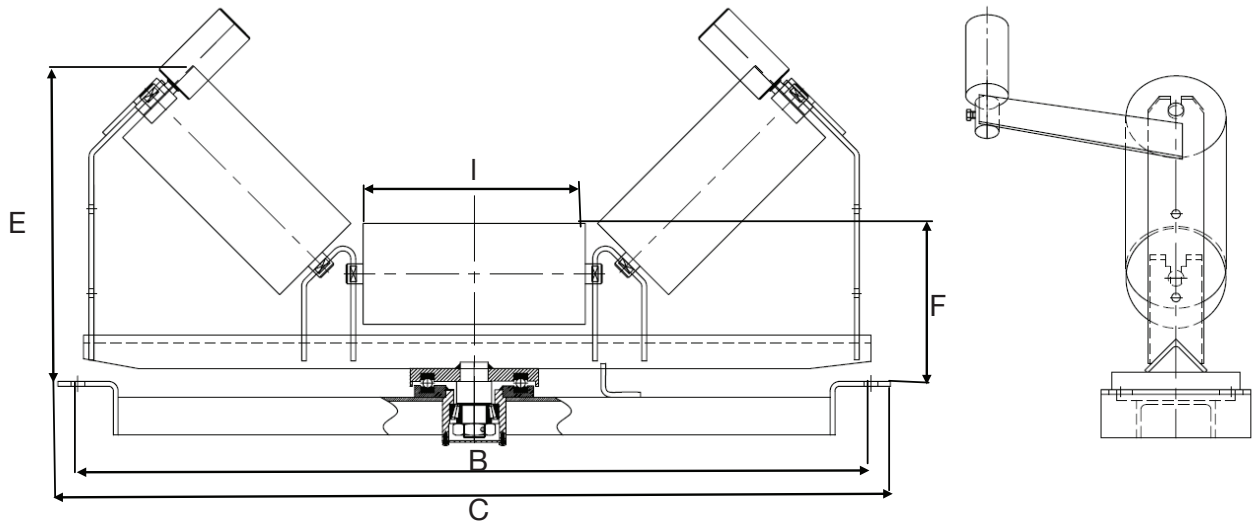


Product Code	Belt Width	L	I	B	C	F	10°	15°	20°	30°	35°	45°	Weight Frame Only
							E	E	E	E	E	E	
RFTTA0450G	450mm	194	172	700	744	181	240	254	268	279	310	332	9.8
<i>Indent</i>	500mm	211	189	750	794	181	243	259	274	305	320	344	10.1
RFTTA060G	600mm	246	224	850	894	181	249	268	286	323	340	369	10.7
<i>Indent</i>	650mm	266	244	900	944	181	253	273	293	333	351	383	11
RFTTA075G	750mm	300	278	1000	1044	181	259	282	305	350	371	407	11.6
<i>Indent</i>	800mm	316	294	1050	1094	181	271	296	320	368	390	428	14.2
RFTTA090G	900mm	353	331	1150	1194	181	278	306	333	386	411	455	15
<i>Indent</i>	1000mm	380	358	1250	1294	181	289	320	349	407	434	481	17.1
RFTTA105G	1050mm	405	383	1300	1344	181	293	326	357	419	448	498	17.6
RFTTA120G	1200mm	458	436	1450	1494	181	303	340	376	446	497	536	20.2



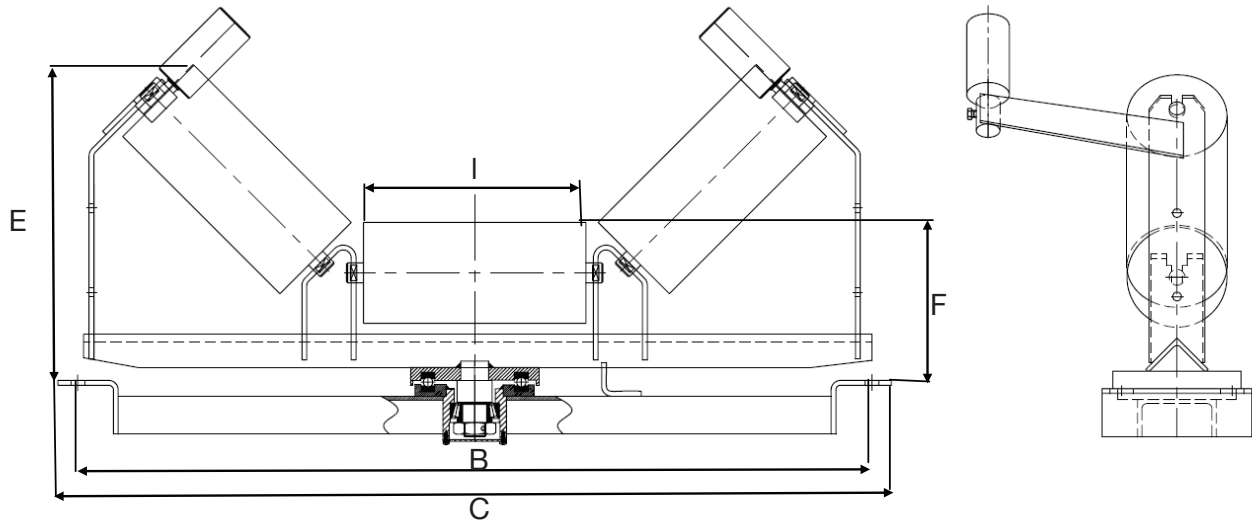
Product Code	Description
BJG155	Return & Flat Carry Brackets Galvanized



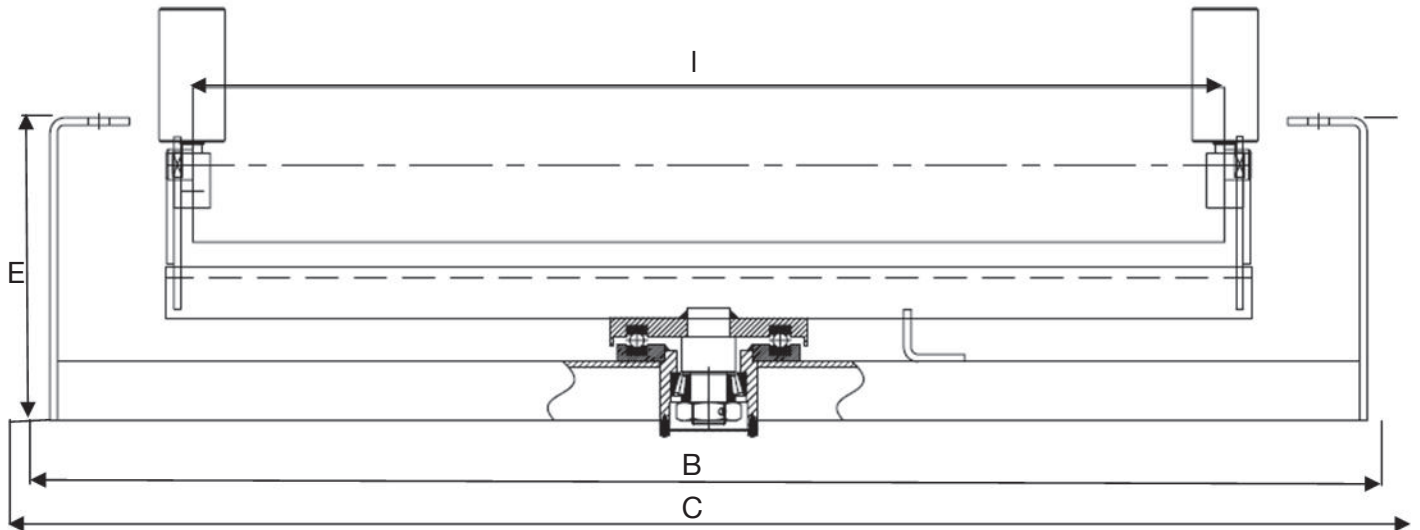


Product Code	Belt Width	I	B	C	F	30°	35°	45°	Weight Frame Only
						E	E	E	
Indent	450mm	172	700	750	204	297	310	332	30.1
Indent	500mm	189	750	800	204	305	320	344	33.5
Indent	600mm	224	850	900	204	323	340	369	36.12
Indent	650mm	244	900	950	204	333	351	383	38.2
Indent	750mm	278	1000	1050	204	350	371	407	41
Indent	800mm	294	1050	1100	214	368	390	428	44
Indent	900mm	331	1150	1200	214	386	411	455	47.6
Indent	1000mm	358	1250	1300	221	407	434	481	49
Indent	1050mm	383	1300	1350	221	419	448	498	52
Indent	1200mm	436	1450	1500	221	446	479	536	58.91

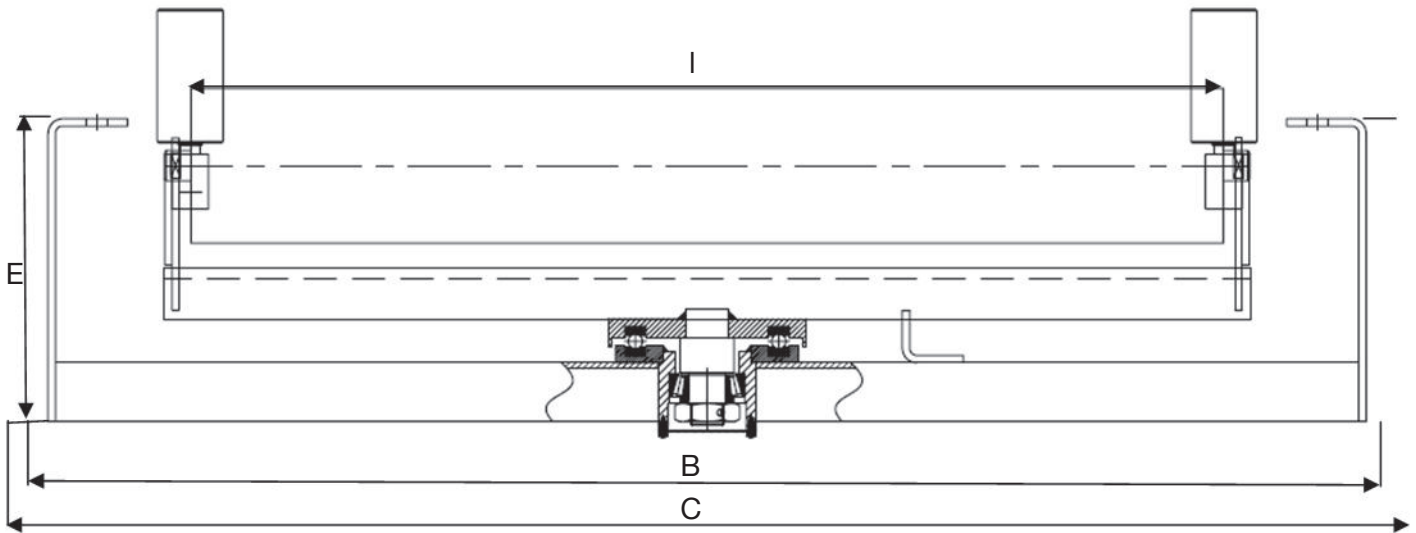




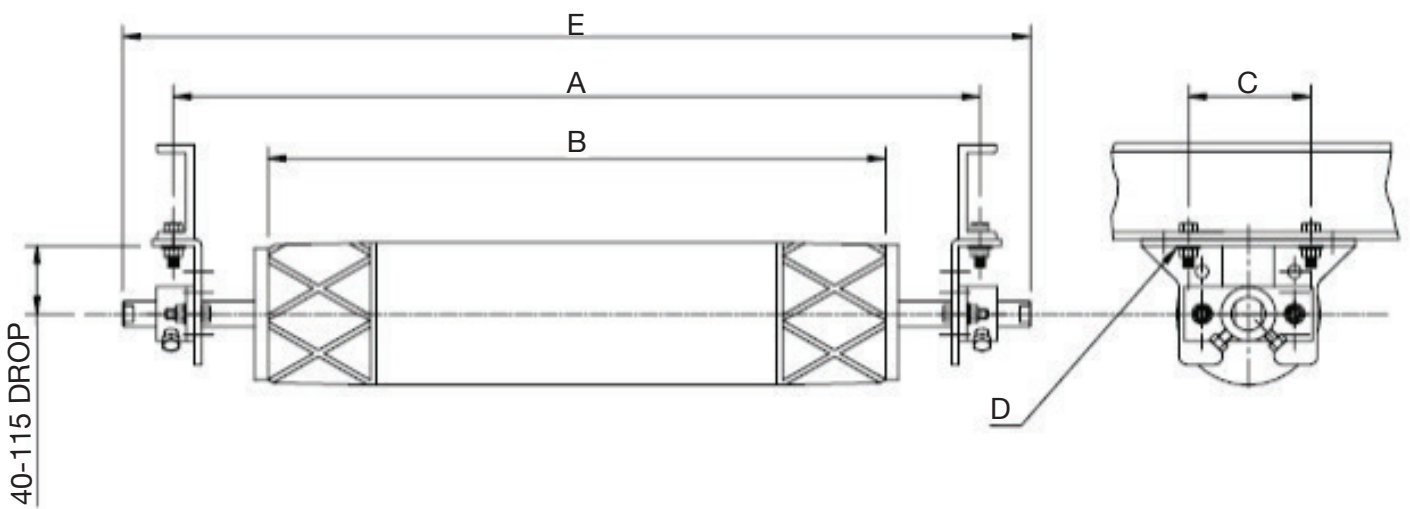
Product Code	Belt Width	I	B	C	F	30°	35°	45°	Weight Frame Only
						E	E	E	
<i>Indent</i>	450mm	172	700	750	204	297	310	332	30.1
<i>Indent</i>	500mm	189	750	800	204	305	320	344	33.5
<i>Indent</i>	600mm	224	850	900	204	323	340	369	36.12
<i>Indent</i>	650mm	244	900	950	204	333	351	383	38.2
<i>Indent</i>	750mm	278	1000	1050	204	350	371	407	41
<i>Indent</i>	800mm	294	1050	1100	214	368	390	428	44
<i>Indent</i>	900mm	331	1150	1200	214	386	411	455	47.6
<i>Indent</i>	1000mm	358	1250	1300	221	407	434	481	49
<i>Indent</i>	1050mm	383	1300	1350	221	419	448	498	52
<i>Indent</i>	1200mm	436	1450	1500	221	446	479	536	58.91



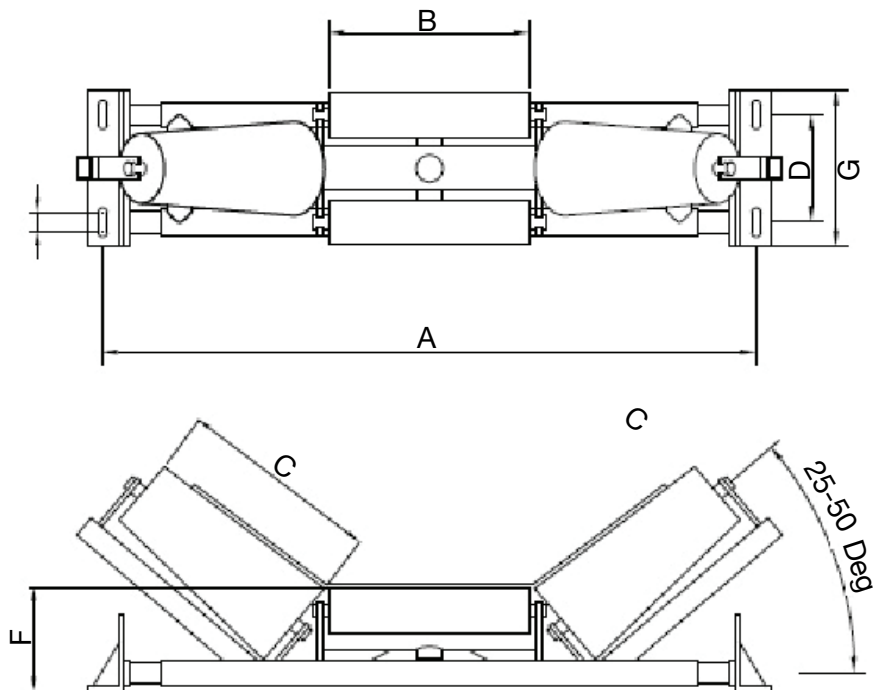
Product Code	Belt Width	I	B	C	E	Weight Frame Only
<i>Indent</i>	450mm	541	700	776	248	29.1
<i>Indent</i>	500mm	594	750	826	248	31.5
<i>Indent</i>	600mm	694	850	926	248	35.12
<i>Indent</i>	650mm	744	900	976	248	37.5
<i>Indent</i>	750mm	844	1000	1076	248	40.3
<i>Indent</i>	800mm	894	1050	1126	248	42.5
<i>Indent</i>	900mm	994	1150	1226	248	46.9
<i>Indent</i>	1000mm	1094	1250	1326	248	48.1
<i>Indent</i>	1050mm	1144	1300	1376	248	50.2
<i>Indent</i>	1200mm	1294	1450	1526	248	58



Product Code	Belt Width	I	B	C	E	Weight Frame Only
<i>Indent</i>	450mm	541	700	776	248	29.1
<i>Indent</i>	500mm	594	750	826	248	31.5
<i>Indent</i>	600mm	694	850	926	248	35.12
<i>Indent</i>	650mm	744	900	976	248	37.5
<i>Indent</i>	750mm	844	1000	1076	248	40.3
<i>Indent</i>	800mm	894	1050	1126	248	42.5
<i>Indent</i>	900mm	994	1150	1226	248	46.9
<i>Indent</i>	1000mm	1094	1250	1326	248	48.1
<i>Indent</i>	1050mm	1144	1300	1376	248	50.2
<i>Indent</i>	1200mm	1294	1450	1526	248	58



Product Code	Belt Width	A	B	C Min - Max	D Slot	E	Weight Complete Unit
<i>Indent</i>	450mm	686	490	85-200	14 x 70	850	33
<i>Indent</i>	500mm	736	540	85-200	14 x 70	900	35
BTR060	600mm	838	640	85-200	14 x 70	1000	37
<i>Indent</i>	650mm	890	690	85-200	14 x 70	1050	39
BTR075	750mm	990	790	85-200	14 x 70	1150	42
<i>Indent</i>	800mm	1040	840	85-200	14 x 70	1200	45
BTR090	900mm	1144	940	85-200	14 x 70	1300	49
BTR100	1000mm	1240	1040	85-200	14 x 70	1400	52
BTR105	1050mm	1296	1090	85-200	14 x 70	1450	53
BTR120	1200mm	1448	1240	85-200	14 x 70	1600	59
<i>Indent</i>	1350mm	1600	1390	85-200	14 x 70	1780	71
BTR140	1400mm	1700	1440	85-200	14 x 70	1830	74
BTR150	1500mm	1752	1540	85-200	14 x 70	1930	78



Product Code	Belt Width	A	B	C	D Min-Max	E Slot	F Min-Max	G	Weight complete unit
<i>Indent</i>	450-500mm	686	190 x Ø 101	200	85 x 305	14 x 110	260 x 405	350	39
<i>Indent</i>	600-650mm	838	220 x Ø 101	290	85 x 305	14 x 110	260 x 405	350	44
<i>Indent</i>	750-800mm	990	270 x Ø 101	290	85 x 305	14 x 110	260 x 405	350	53
<i>Indent</i>	900mm	1144	320 x Ø 127	380	85 x 305	14 x 110	260 x 405	350	85
<i>Indent</i>	1000mm	1240	360 x Ø 127	380	85 x 305	14 x 110	260 x 405	350	90
<i>Indent</i>	1050-1100mm	1296	370 x Ø 127	380	85 x 305	14 x 110	260 x 405	350	94
<i>Indent</i>	1200mm	1448	430 x Ø 152	490	220 x 280	22 x 44	255 x 355	350	120